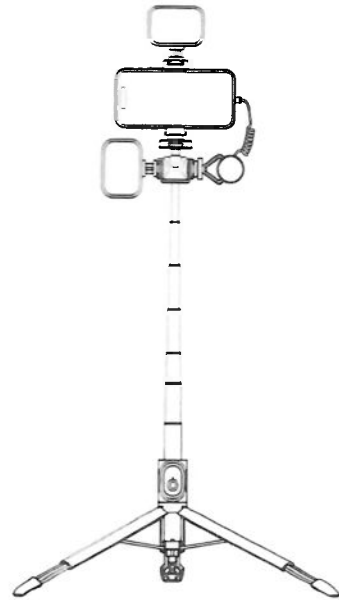


KraftGeek™

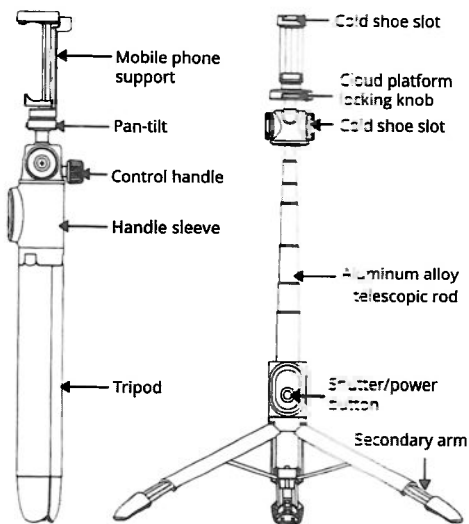
Vlogging Tripod Max User Manual

OTH-AB216MAX

Web: www.kraftgeek.com
Standard: Q/OSL 001-2019
Made in China



Product Introduction



Release Tripod

Step 1:
Press the triangle button on the bottom of the tripod to release tripod legs.

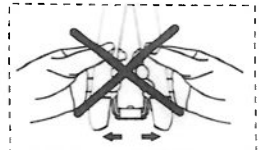
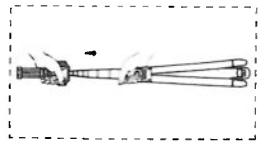
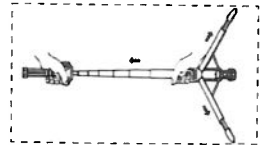
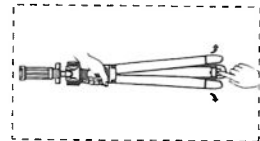
Step 2:
Hold the handle sleeve with one hand and the pull handle of the phone holder with the other hand to pull out the telescopic rod. Adjust to desired height. Tripod legs will open automatically as the telescopic rod being pulled out.

Fold Tripod

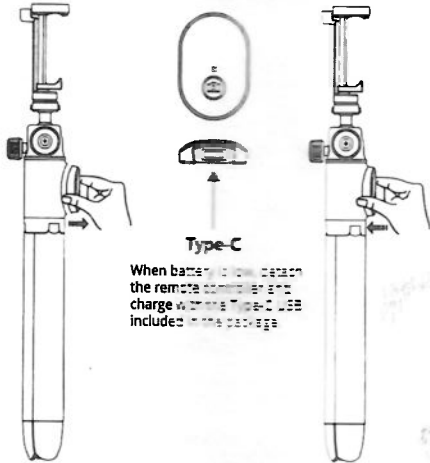
Hold the handle sleeve with one hand and push the telescopic rod back in.

Attention

- Do not pull legs to open tripod.
- Push the handle sleeve all the way down so that the tripod legs are fully opened and stable.



Detach/attach Remote Controller & Charging

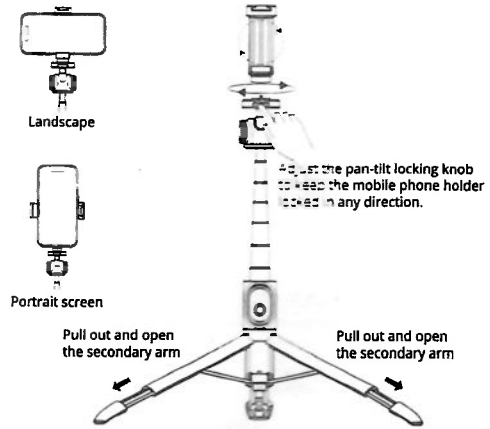


When battery is low, detach the remote controller and charge with the Type-C USB included in the package.

Detach Remote Controller: The remote control is equipped with a magnetic attraction feature. To remove it from the slot, simply pull it outwards.

Attach Remote Controller: To reinsert it, align it with the slot and it will automatically be attached.

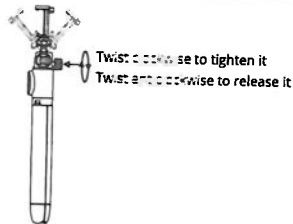
Switch between Landscape & Portrait



1. The product comes with the patented side rail and the rotating shaft holder. You can also switch freely between landscape and portrait screen without taking out the phone.
2. Pull outward to open the secondary arm and increase the bearing and stability of the product.
3. Adjust the pan-tilt locking knob to keep the mobile phone holder locked in any direction.

2

Adjust the control handle



As shown above, adjust the rotating ball head to the required angle by locking and releasing, and then lock the handle to freely shoot any angle.

Description of Cold shoe slot



This product is equipped with three cold shoe slots which are compatible with a fill light or other photography accessories.

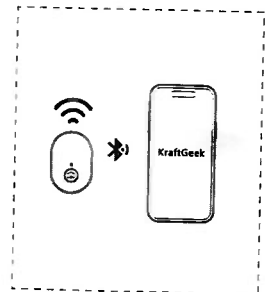
3

Connect Bluetooth

Long press the shutter/power button on the remote controller for 3 seconds until the green light flashes. On your device, go to Settings > Bluetooth and turn on Bluetooth. Find "KraftGeek" to connect. When pairing is completed, the green light will be on constantly.

Short press the shutter/power button to take pictures when the connected smartphone is in camera mode.

Long press for 3 seconds again to turn off the Bluetooth.



Specifications

Product model	OTH-AB216MAX
Product size	46x61x320mm
Product weight	424g (±10g)
Battery capacity	50mAh
Unfolded length	58in
Product material	Aluminum ABS+PC